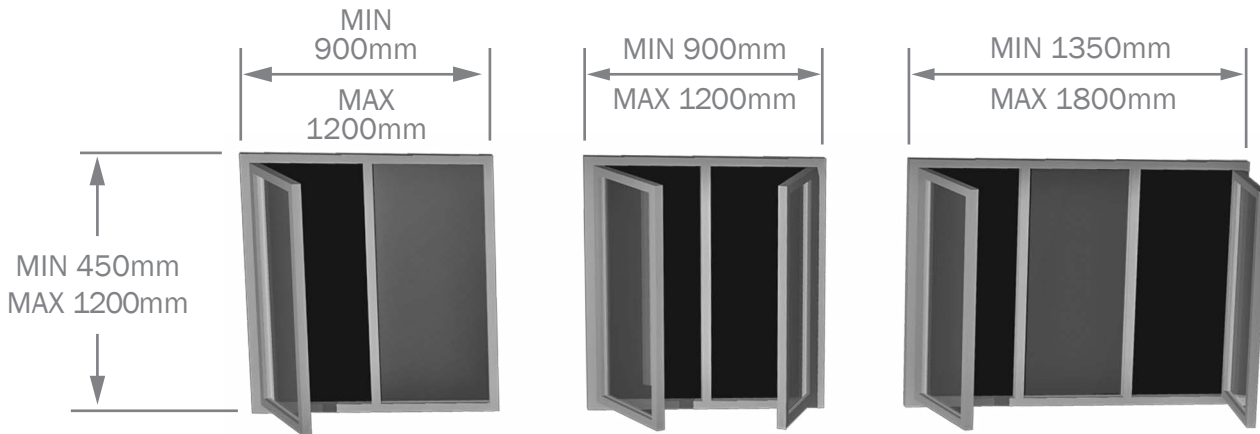


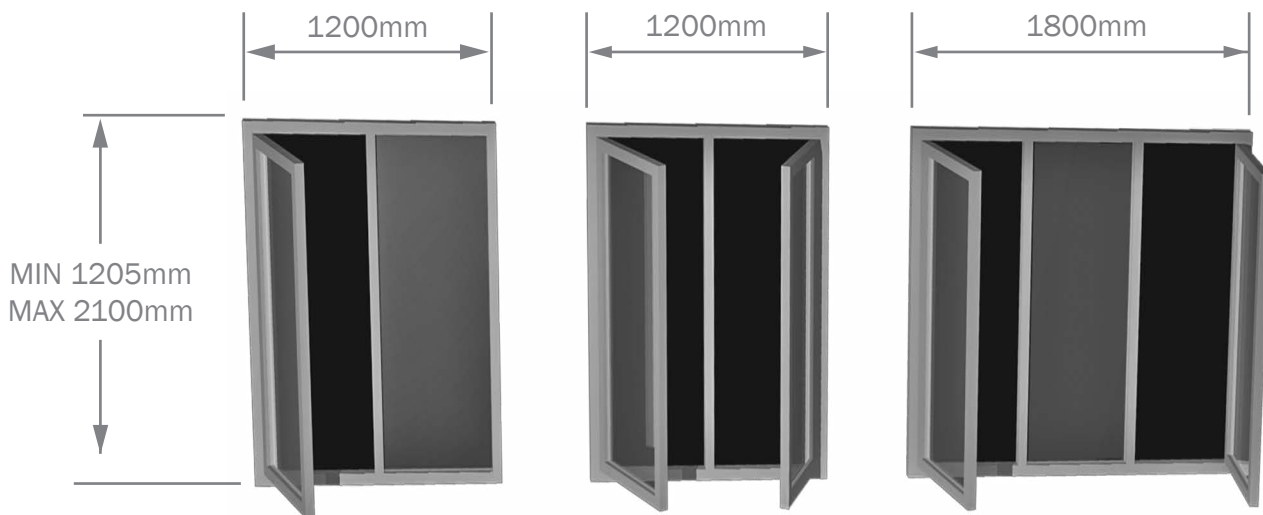
# CASEMENT WINDOW (Rw44)



## RYLOCK ACOUSTIC SERIES



WINDOWS UP TO 1200mm HIGH: FOR 1 & 2 PANEL WINDOWS A MAXIMUM HEIGHT-WIDTH RATIO of **3:2** MUST BE ADHERED TO, WHILST THE 3 PANEL WINDOW H-W RATIO IS **1:1** MAXIMUM



**NOTE:** ALL SIZES ARE TYPICAL RATHER THAN DEFINITIVE. FOR SIZES OUTSIDE OF THESE, PLEASE DISCUSS WITH YOUR RYLOCK SALES CONSULTANT

### Sizing

Window style & opening detail should be considered as viewed externally

Product depth is greater-than-or-equal-to 215mm, due to acoustic spacing between panes

Sizes indicated are the overall window size. Reveal is inline with outer frame dimension

For Stud openings add 20mm to both height & width

### Glazing

Glazing strength to minimum N3 rating as per AS4055 - 2006

External glazing is 6mm

Internal glazing is 6.38mm

### Specify

Frame colour, configuration, height, width & overall depth

Optional: Operator & latch colour, external frame infill, sill flap, external glass type, flyscreen

### Performance

Performance Index Number Rw: 44

### Certification

Certified performance data (from CSIRO) for Rw, STC & CTR+Rw are available for this product on request