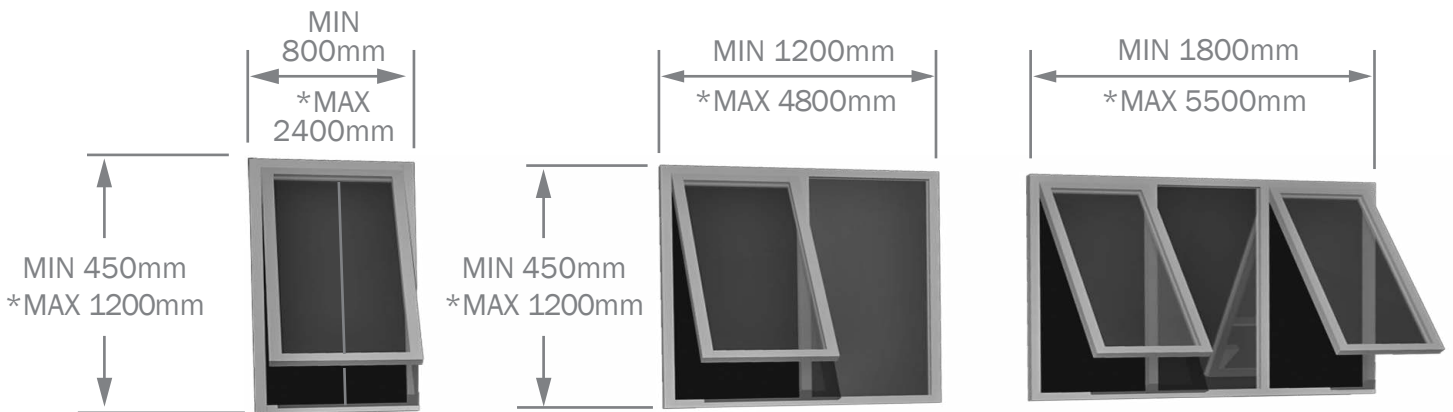


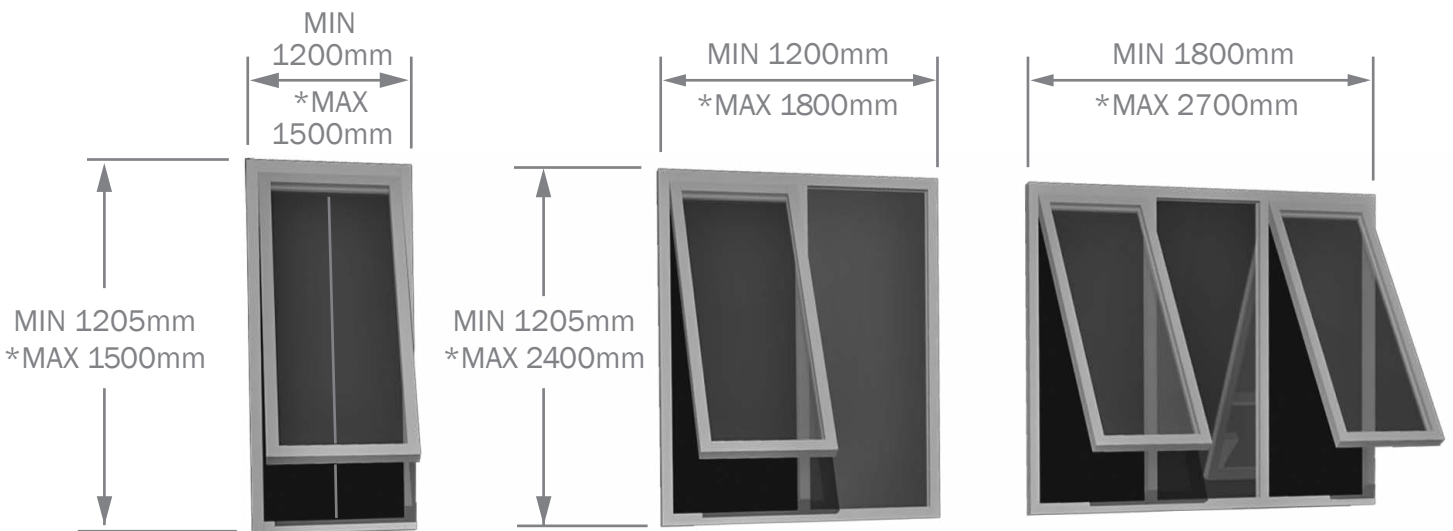
# AWNING WINDOW (Rw44)



## RYLOCK ACOUSTIC SERIES



WINDOWS UP TO 1200mm HIGH: FOR 1 & 2 PANEL WINDOWS A MAXIMUM HEIGHT-WIDTH RATIO of **3:2** MUST BE ADHERED TO, WHILST THE 3 PANEL WINDOW H-W RATIO IS **1:1** MAXIMUM  
\*MAXIMUM SASH SIZE IS 2.1 SQUARE METRES (eg: 900mm high x 2400mm WIDE)



WINDOWS OVER 1200mm HIGH: FOR 1 & 2 PANEL WINDOWS A MAXIMUM HEIGHT-WIDTH RATIO of **2:1** MUST BE ADHERED TO, WHILST THE 3 PANEL WINDOW H-W RATIO IS **4:3** MAXIMUM  
\*MAXIMUM SASH SIZE IS 2.1 SQUARE METRES (eg: 2400mm high x 900mm WIDE)

**NOTE:** ALL SIZES ARE TYPICAL RATHER THAN DEFINITIVE. FOR SIZES OUTSIDE OF THESE, PLEASE DISCUSS WITH YOUR RYLOCK SALES CONSULTANT. SINGLE PANEL WINDOWS WILL BE 'SPLIT' VERTICALLY BY THE SECONDARY GLAZING FRAME (IN THE CENTRE)

### Sizing

Window style & opening detail should be considered as viewed externally

Product depth is greater-than-or-equal-to 215mm, due to acoustic spacing between panes

Sizes indicated are the overall window size. Reveal is inline with outer frame dimension

For Stud openings add 20mm to both height & width

### Glazing

Glazing strength to minimum N3 rating as per AS4055 - 2006

External glazing is 6mm

Internal glazing is 6.38mm

### Specify

Frame colour, configuration, height, width & overall depth

Optional: Operator & latch colour, external frame infill, sill flap, external glass type, flyscreen

### Performance

Performance Index Number Rw: 44

### Certification

Certified performance data (from CSIRO) for Rw, STC & Rw+Ctr are available for this product on request