

# BIFOLD DOOR

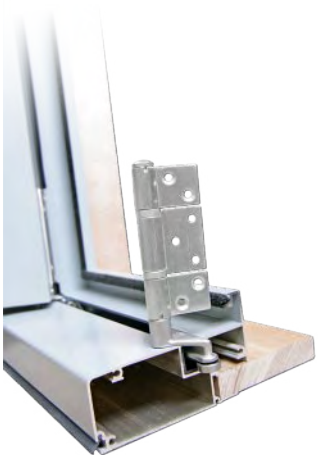
AA SERIES



125mm deep x 75mm high aluminium frame realises exceptional rigidity & clean aesthetics



Centor Architectural bifold carrier sets ensure smooth operation with even the largest double glazed panels.



Centor carrier & hinge sets are supplied in stainless steel & offer broad adjustability both vertically & horizontally.



A polypropylene guide track concealed in the sill section minimises operating noise. Front drainage is also hidden under a cover flap.



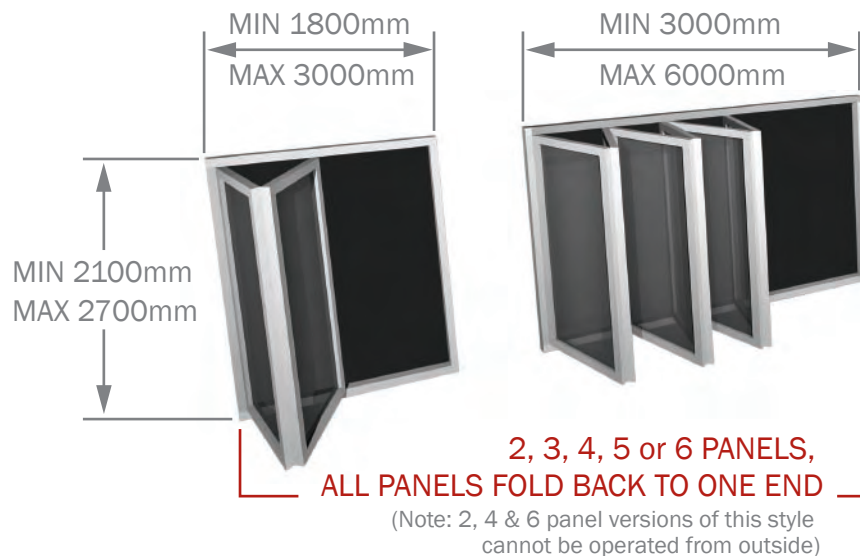
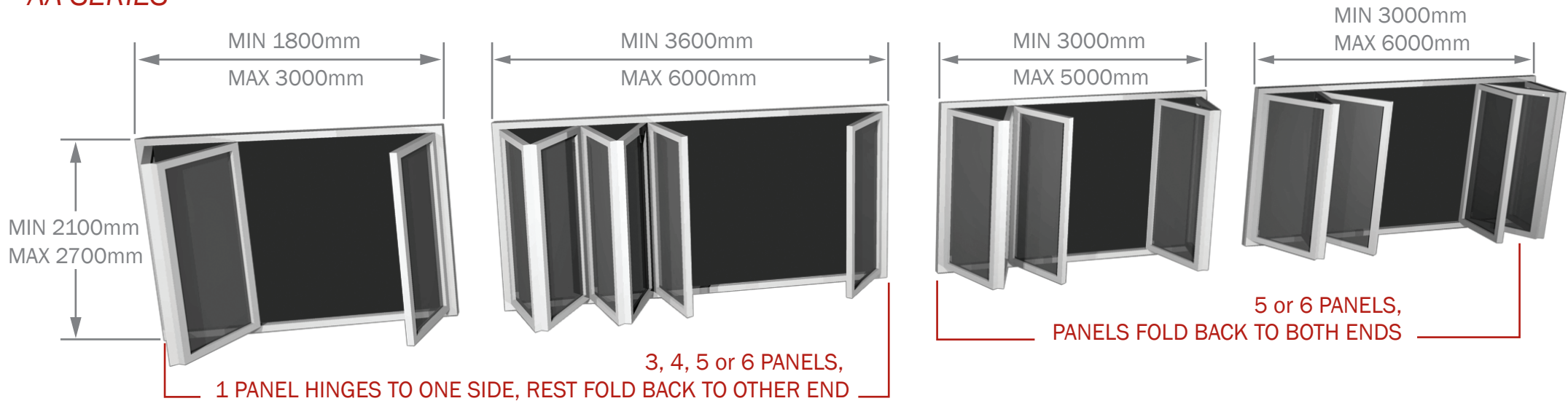
Flush-bolts are fitted top & bottom on all fold away panels.



A satin chrome handle operates the Lever Compression Lock & matches the finish of the flush bolts.

# BIFOLD DOOR

## AA SERIES



**NOTE:** ALL SIZES ARE TYPICAL RATHER THAN DEFINITIVE.  
FOR SIZES OUTSIDE OF THESE (eg: servery window)  
PLEASE TALK WITH YOUR RYLOCK SALES CONSULTANT

### Sizing

Door style & opening detail should be considered as viewed externally  
Sizes indicated are the overall door size. For Stud openings add 30mm to height, 20mm to width  
Max total panel weight = 80kg (Double glazed, 2 x 5mm glass panes = max 2700 x 1000mm panel)

### Hardware

Lever Compression Lock for master panel, flush mount lock bolts for all other panels  
All hardware is finished in either brushed stainless-steel or satin chrome. To ensure hardware longevity, please refer to the Centor Maintenance brochure available from your Sales Consultant, or online

### Glazing

Glazing strength to minimum N3 rating as per AS4055 - 2006  
Glazing to be grade A safety glass

### Certification

A glazing certificate will be supplied upon installation of this product

### Specify

Frame colour, configuration, height, width & depth, glass type