

AWNING WINDOW



ACOUSTIC SERIES - Rw44 (215mm overall depth*)

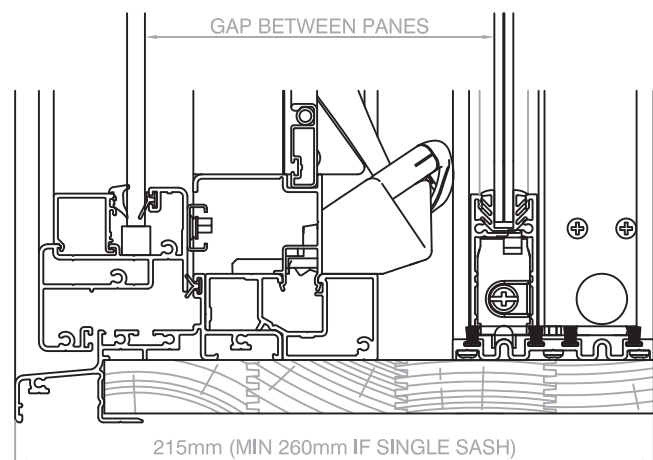
Rylock's Acoustic Series Awning Windows are designed to help minimise the entry of intrusive noise into your home. Tested for performance by CSIRO, these windows employ a series of secondary glazing panels behind awning windows derived from the AA Series. The awning hardware utilises a pair of secondary latches, which ensure that the sash closes securely against the outer frame. Not only does this help exclude drafts, it also minimises the ability for sound to transfer through the closed window



*Single Awning

By spacing the secondary glazing away from the exterior frame, a gap between glass panes of around 100mm is created. In comparison to double glazing for thermal benefits, acoustic double glazing requires a much larger gap between each of the two glass panes

After-market or retro-fit systems often look like an obvious addition to the existing window. Acoustic Series products integrate both primary & secondary window elements inside the one reveal box, making for an attractive solution for noise attenuation

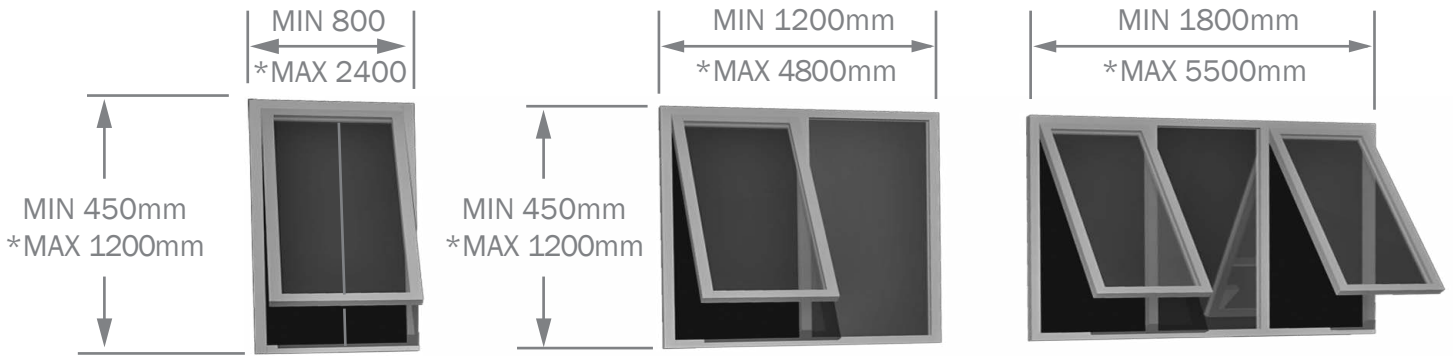


The inline reveals make for easy installation into a variety of wall types, however it is important to consider the (minimum) 215mm overall depth when specifying Acoustic Series Awning Windows. *Note that single awnings (or single awnings over fixed windows) need to be a minimum of 260mm deep to access the centre operator with ease

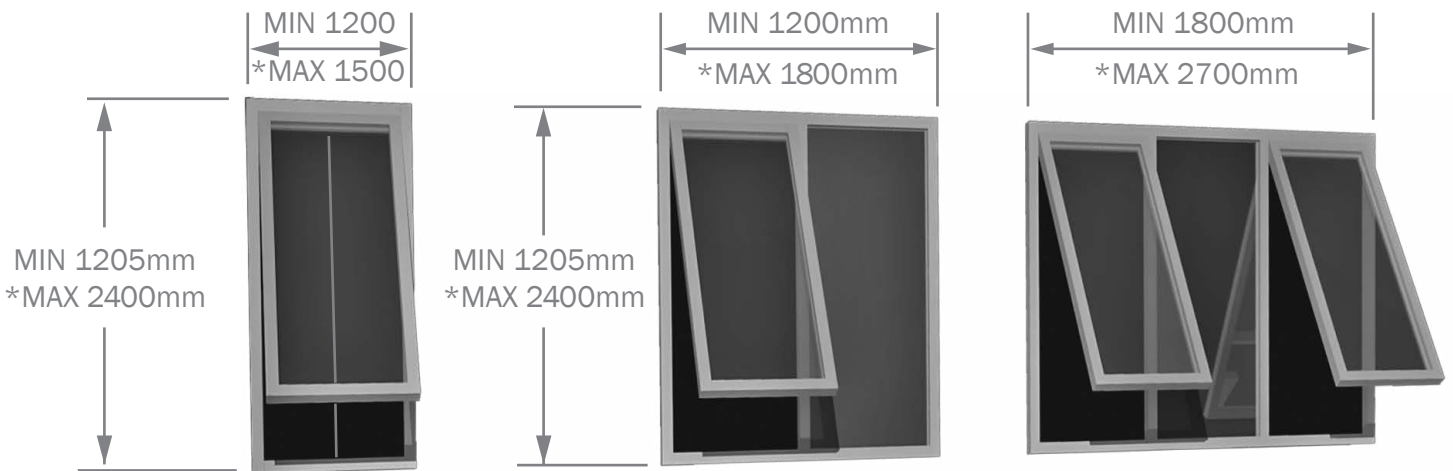
AWNING WINDOW



ACOUSTIC SERIES - Rw44 (215mm overall depth[^])



UP TO 1200mm HIGH: FOR 1[^] & 2 PANEL WINDOWS A MAXIMUM HEIGHT-WIDTH (PANEL) RATIO OF **3:2** MUST BE ADHERED TO, WHILST THE 3 PANEL WINDOW HEIGHT-WIDTH (PANEL) RATIO IS **1:1** MAXIMUM



OVER 1200mm HIGH: FOR 1[^] & 2 PANEL WINDOWS A MAXIMUM HEIGHT-WIDTH (PANEL) RATIO OF **2:1** MUST BE ADHERED TO, WHILST THE 3 PANEL WINDOW HEIGHT-WIDTH (PANEL) RATIO IS **4:3** MAXIMUM

NOTE: ALL SIZES ARE TYPICAL RATHER THAN DEFINITIVE. FOR OTHER SIZES, DISCUSS WITH YOUR SALES CONSULTANT
SINGLE PANEL WINDOWS WILL BE 'SPLIT' VERTICALLY BY THE SECONDARY GLAZING FRAME (IN THE CENTRE)
[^]MINIMUM DEPTH FOR A SINGLE AWNING - OR AWNING OVER FIXED - IS 260mm TO ACCESS CENTRE OPERATOR
*MAXIMUM AWNING SASH SIZE IS 2.1 square metres (*maximum 2400h x 900w or 900h x 2400w*)

Sizing

Window style & opening detail should be considered as viewed externally
Sizes indicated are the overall window size. Reveal is inline with outer frame dimension
For Stud openings add 20mm to both height & width

Glazing

Glazing strength to minimum N3 rating. External glazing is 6mm, internal glazing is 6.38mm laminated

Performance

Performance Index Number Rw: 44

Certification

Certified performance data (from CSIRO) for Rw, STC & Rw+Ctr are available for this product on request

Specify

Frame colour, configuration, height, width & overall depth (minimum 215mm due to acoustic spacing between panes)
Optional: operator & latch colour, restricted opening, fly screen, mesh type, external frame infill, sill flap, external glass type

The above product sizes comply with structural requirements (AS2047-2014, *Windows and external glazed doors in buildings*) for an 'N1' wind rating (AS4055-2012, *Wind loads for housing*).

This is typical of sites in suburban areas. In addition, the location has a Terrain Category of 3, is Topographic Class 1 or 2 and assumes the building will be surrounded by others of similar size.

Please specify if your site has different characteristics to any of those listed. Your building professional (architect, designer, surveyor, engineer, builder, etc.) can often assist with such determinations.